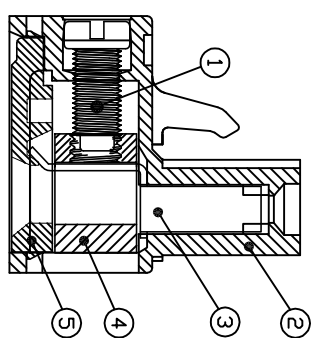
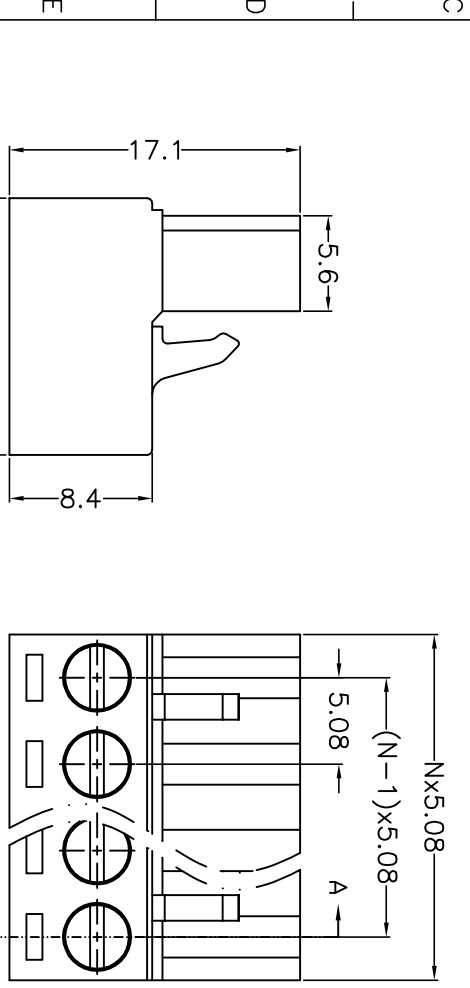
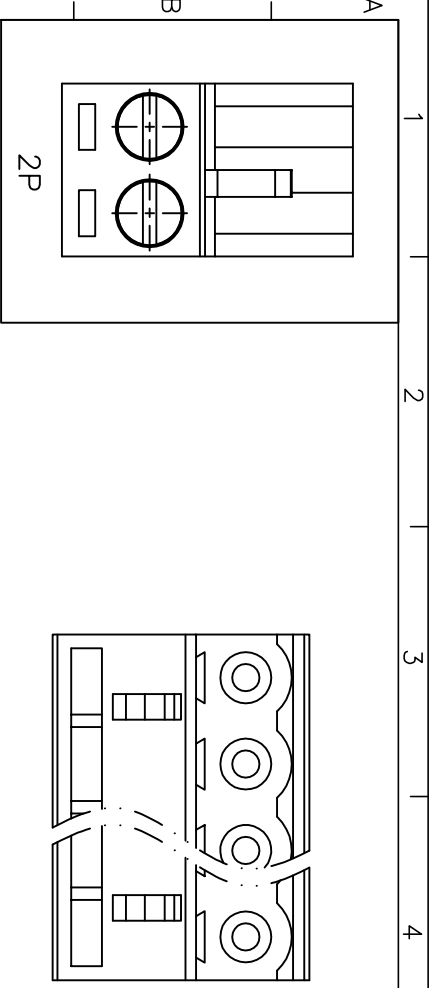
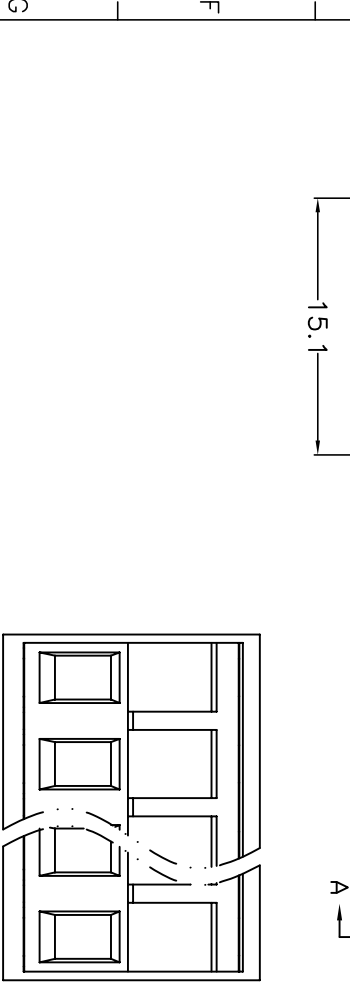


REV.	DESCRIPTION	DATE	DRAFTER	APPROVER
V1.0	DWG.REL	2024.9.22	ZHANG	JIN



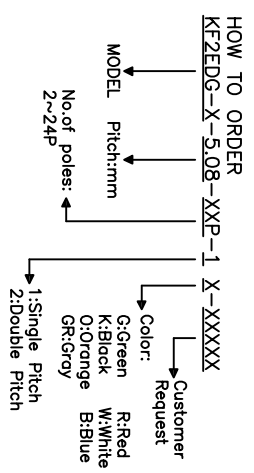
SECTION A-A



- Material
 ØScrew : M3.0 steel, Zinc plated, "--" slot type
 ØHousing : PA66, UL94V-0
 ØContact : Copper alloy, Tin plated
 ØClamp : Copper alloy, Ni plated
 ØCover : PA66, UL94V-0
- Electrical
 UL IEC
 Rated voltage : 300V 320V
 Rated current : 15A 20A
 Contact resistance : 20mΩ(Max)
 Insulation resistance: 500MΩ/DC500V
 Withstanding Voltage : AC2000V/1min
 Wire range: 28-12AWG 2.5mm²

- Mechanical
 Operating temperature:-40℃~+105℃
 Soldering temperature:250℃±5/5sec
 Torque: 0.5N.m (4.43Lb.in)
 Strip length: 7mm

• Conform to REACH and RoHS



Pitch range	Nominal dimension range	PROJECTION	UNIT
>0	>10	0.1/10	mm
~6	~30		
~10	~60		
~24	~100		
±0.15	±0.30		±2°
	±0.50		
	±0.70		
	±1.00		
	±1.30		

DRAWING TYPE	SCALE	SHEET	1 OF 1
CUSTOMER DRAWING	1:1		
DRAWING NO.	W10000582		

TITLE	SHEET SIZE	SERIES
KF2EDG-X-5.08-XXP-1X	A4	KF2EDG-X

DF 慈溪市凯峰电子有限公司
 CIXI KAIFENG ELECTRONICS CO.,LTD