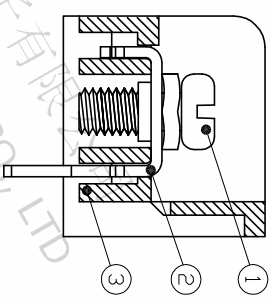
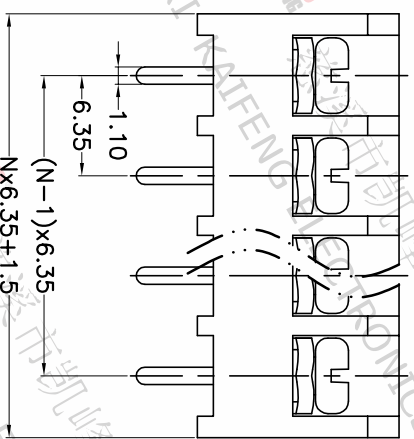
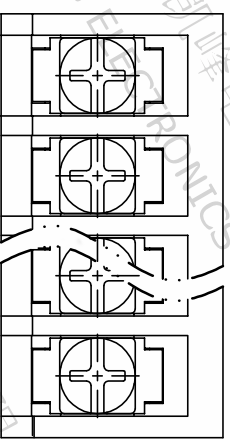


REV.	DESCRIPTION	DATE	DRAFTER	APPROVER
A1	DWG.REL	2020.05.18	LiuZH	JIN



- Material  
 ⌀Screws : M3.0 steel, Ni plated  
 ⌀Terminal : Brass, Tin plated  
 ⌀Housing : PA66, UL94V-0

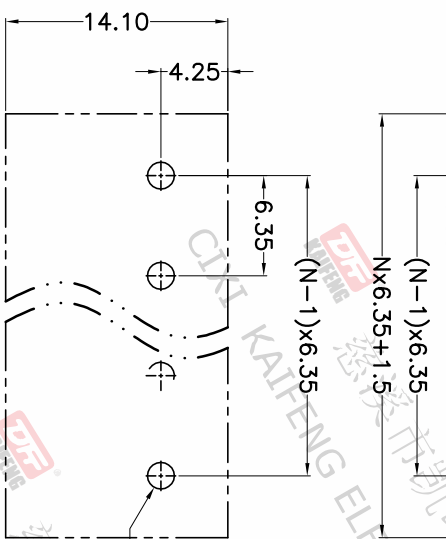
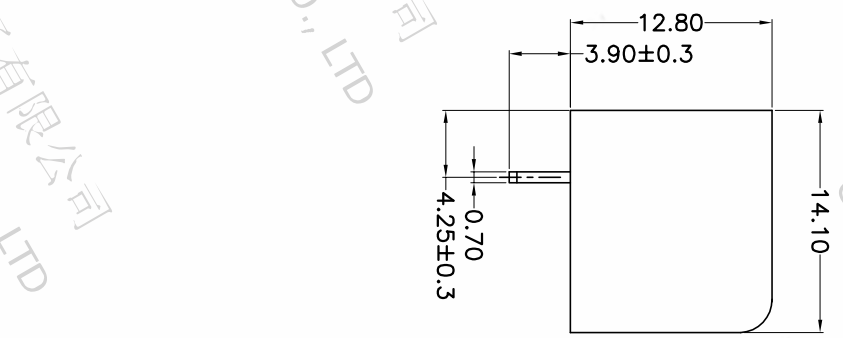
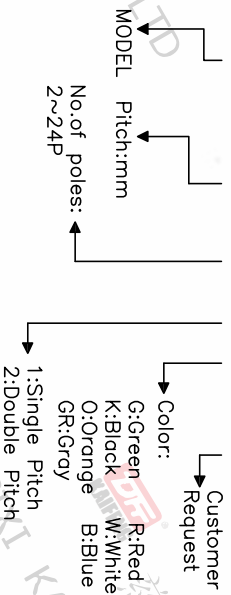
- Electrical  
 UL IEC  
 Rated voltage : 300V 250V  
 Rated current : 10A 17.5A  
 Contact resistance : 20mΩ(Max)  
 Insulation resistance: 500MΩ/DC500V  
 Withstanding Voltage : AC2000V/1min  
 Wire range: 22-16AWG 1.5mm<sup>2</sup>

- Mechanical  
 Operating temperature: -40°C~+105°C  
 Soldering temperature: 250°C±5/5sec  
 Torque: 0.5N.m (4.43lb.in)

• RoHS compliance

HOW TO ORDER

HB-635-6.35-XXP-1 X-XXXXX



P.C.B.LAYOUT

Pitch range	Nominal dimension range	PROJECTION
>0	>0	0.1/10
>6	>30	□
>10	>60	□
~	~	□
6	60	□
10	100	□
24	150	□
±0.15	±0.30	±2°
±0.20	±0.30	±2°
±0.30	±0.50	±2°
±0.70	±1.00	±2°
±1.30	±1.30	±2°

DRAWING TYPE	CUSTOMER DRAWING
SCALE	1:1
SHEET	1 OF 1
DRAWING NO.	W12000052

PROJECTION	UNIT	TITLE
□	mm	HB-635-6.35-XXP-1X
□	mm	
□	A4	SERIES HB-635

**DFE** 慈溪市凯峰电子有限公司  
 CIXI KAIFENG ELECTRONICS CO.,LTD

