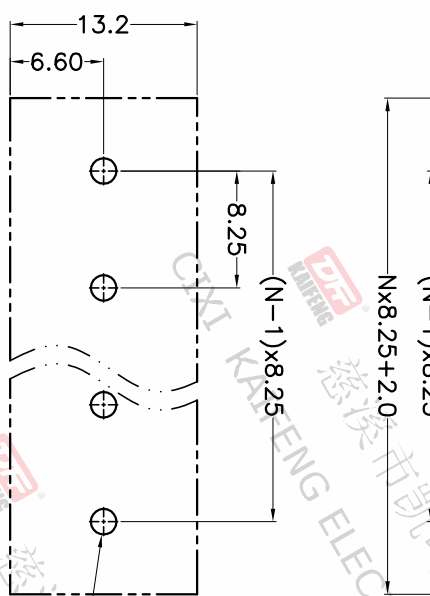
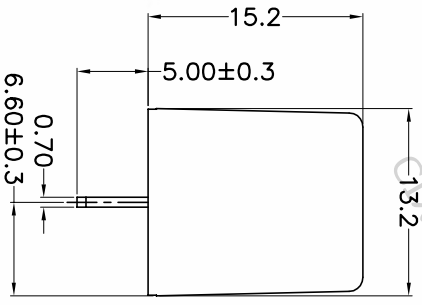
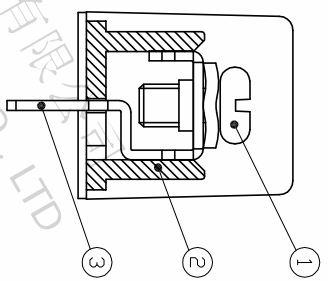
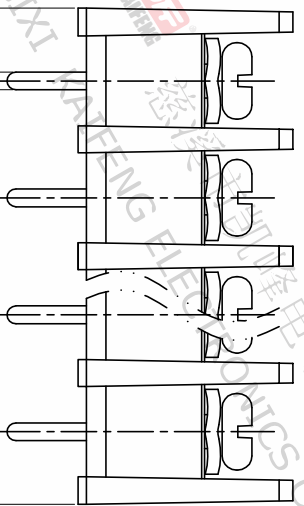
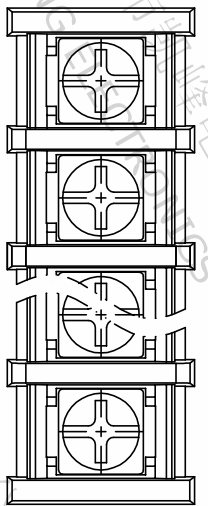


REV.	DESCRIPTION	DATE	DRAFTER	APPROVER
A1	DWG.REL	2020.05.20	LiuZH	JIN



P.C.B.LAYOUT

Pitch range	Nominal dimension range	0.1/10	±2°
>0	>0	□	□
~6	~30	□	□
~10	~60	□	□
~24	~100	□	□
~30	~150	□	□
±0.15	±0.30	□	□
±0.20	±0.50	□	□
±0.30	±0.70	□	□
±1.00	±1.30	□	□

DRAWING TYPE	CUSTOMER DRAWING
SCALE	1:1
SHEET	1 OF 1
DRAWING NO.	W12000572

PROJECTION	UNIT	TITLE
1	mm	KF-30C-8.25-XXP-1X
2	mm	
3	mm	
4	mm	
5	mm	
6	mm	
7	mm	
8	mm	
9	mm	
10	mm	
11	mm	
12	mm	
13	mm	
14	mm	
15	mm	
16	mm	
17	mm	
18	mm	
19	mm	
20	mm	
21	mm	
22	mm	
23	mm	
24	mm	
25	mm	
26	mm	
27	mm	
28	mm	
29	mm	
30	mm	
31	mm	
32	mm	
33	mm	
34	mm	
35	mm	
36	mm	
37	mm	
38	mm	
39	mm	
40	mm	
41	mm	
42	mm	
43	mm	
44	mm	
45	mm	
46	mm	
47	mm	
48	mm	
49	mm	
50	mm	
51	mm	
52	mm	
53	mm	
54	mm	
55	mm	
56	mm	
57	mm	
58	mm	
59	mm	
60	mm	
61	mm	
62	mm	
63	mm	
64	mm	
65	mm	
66	mm	
67	mm	
68	mm	
69	mm	
70	mm	
71	mm	
72	mm	
73	mm	
74	mm	
75	mm	
76	mm	
77	mm	
78	mm	
79	mm	
80	mm	
81	mm	
82	mm	
83	mm	
84	mm	
85	mm	
86	mm	
87	mm	
88	mm	
89	mm	
90	mm	
91	mm	
92	mm	
93	mm	
94	mm	
95	mm	
96	mm	
97	mm	
98	mm	
99	mm	
100	mm	

- Material
 - ØScrews : M3.0 steel, Ni plated
 - ØHousing : PA66,UL94V-0
 - ØTerminal : Brass, Tin plated

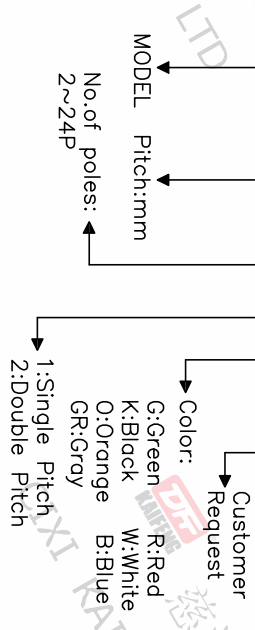
- Electrical UL IEC
 - Rated voltage : 300V 450V
 - Rated current : 20A 24A
 - Contact resistance : 20mΩ(Max)
 - Insulation resistance: 500MΩ/DC500V
 - Withstanding Voltage : AC2000V/1min
 - Wire range: 22-12AWG 2.5mm²

- Mechanical
 - Operating temperature: -40°C ~ +105°C
 - Soldering temperature: 250°C ±5/5sec
 - Torque: 0.5N.m (4.43lb.in)

• RoHS compliance

HOW TO ORDER

KF-30C-8.25-XXP-1 X-XXXXX



DF 慈溪市凯峰电子有限公司
CIXI KAIFENG ELECTRONICS CO.,LTD