

REV.	DESCRIPTION	DATE	DRAFTER	APPROVER
A1	DWG.REL	2020.5.20	ZHANG	JIN

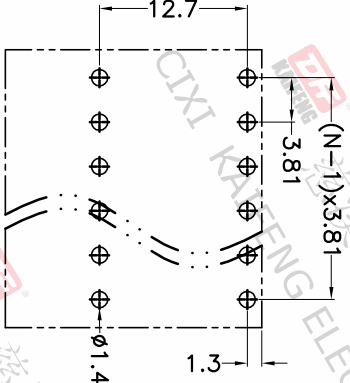
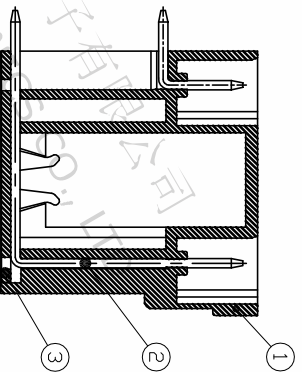
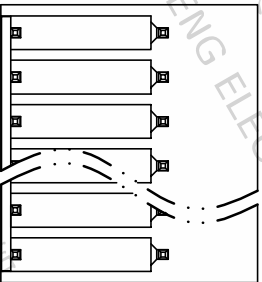
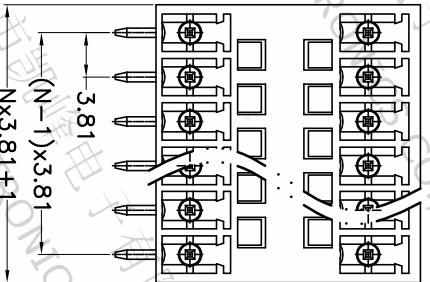
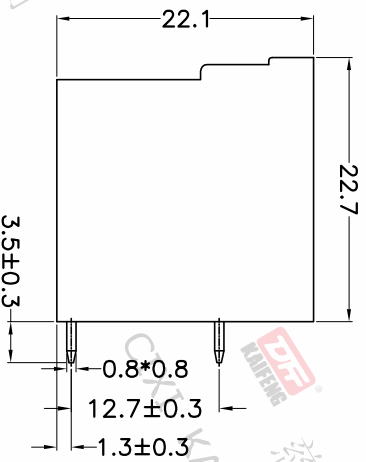
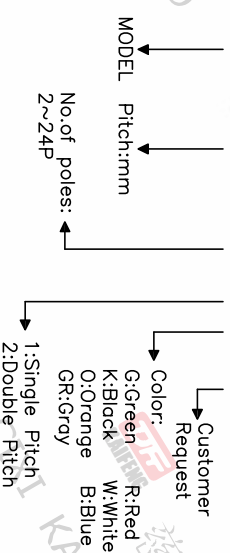
- Material
 ○Housing : PA66, UL94V-0
 ○Pin header : Copper alloy, Tin plated
 ○Cover : PA66, UL94V-0

- Electrical
 UL IEC
 Rated voltage : 300V 250V
 Rated current : 8A 7A
 Contact resistance : 20mΩ(Max)
 Insulation resistance: 500MΩ/DC500V
 Withstanding Voltage : AC1500V/1min

- Mechanical
 Operating temperature: -40°C~+105°C
 Soldering temperature: 250°C±5/5sec

- RoHS compliance

HOW TO ORDER
 KF1025R-3.81-2*XXP-1 X-XXXXX



P.C.B.LAYOUT

Pitch range	Nominal dimension range	PROJECTION
>0	>0	0.1/10
>6	>30	\leq
>10	>60	\leq
>10	>100	\leq
>24	>150	\leq
± 0.15	± 0.30	± 2
± 0.20	± 0.50	± 1.00
± 0.30	± 0.70	± 1.30

DRAWING TYPE	CUSTOMER DRAWING
SCALE	1:1
SHEET	1 OF 1
DRAWING NO.	W10001702

DFE
 慈溪市凯峰电子有限公司
 CIXI KAIFENG ELECTRONICS CO.,LTD

PROJECTION	UNIT	TITLE
mm	A4	KF1025R-3.81-2*XXP-1X
SHEET SIZE	SERIES	KF1025R