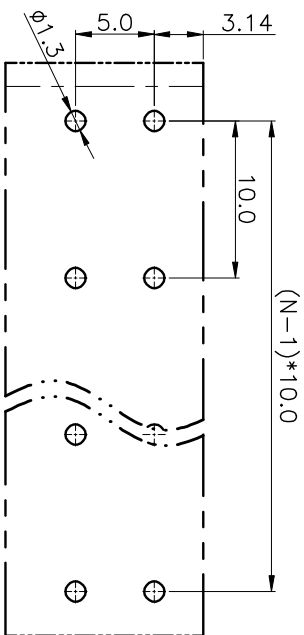
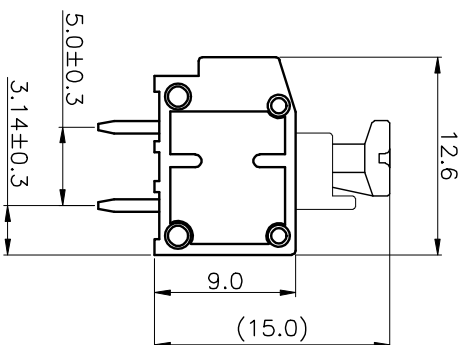
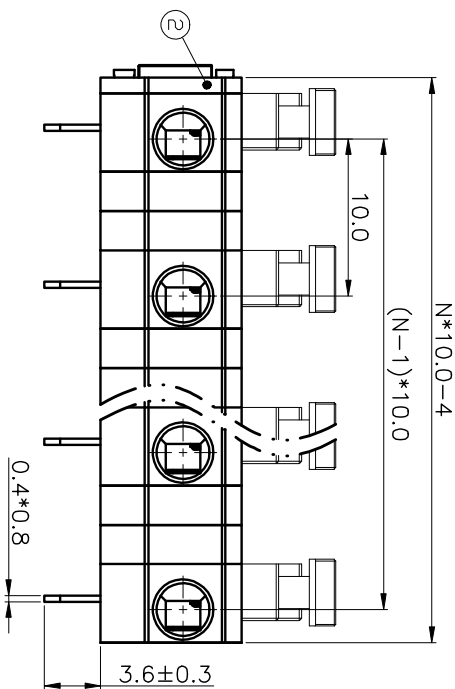
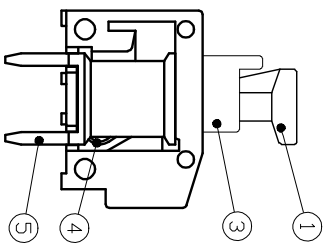
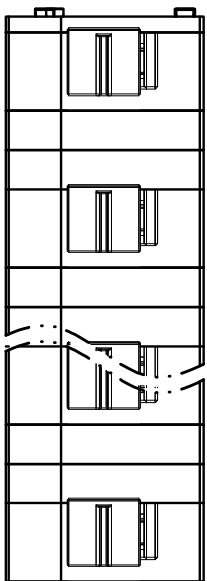


| REV. | DESCRIPTION | DATE       | DRAFTER | APPROVER |
|------|-------------|------------|---------|----------|
| A1   | DWG.REL     | 2020.05.27 | DENG    | JIN      |



P.C.B. LAYOUT

• Material

- ØButton : PA66, UL94V-0
- ØCover : PA66, UL94V-0
- ØHousing : PA66, UL94V-0
- ØReed : Stainless steel
- ØPin header : Copper alloy, Tin plated

• Electrical

- UL IEC
- Rated voltage : 300V 750V
- Rated current : 5A 15A
- Contact resistance : 20mΩ(Max)
- Insulation resistance : 500MΩ/DC500V
- Withstanding Voltage : AC2000V/1min
- Wire range : 20-18AWG 1.5mm<sup>2</sup>

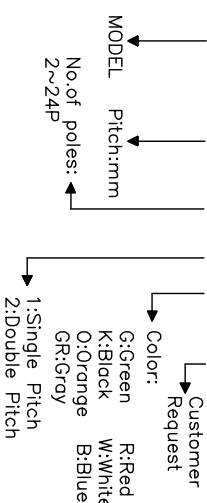
• Mechanical

- Operating temperature: -40°C to +105°C
- Soldering temperature: 250°C±5/5sec
- Strip length: 8-9mm

• RoHS compliance

HOW TO ORDER

KF124B-10.0-XXP-1 X-XXXXX



| Pitch range | Nominal dimension range | PROJECTION | TITLE              |
|-------------|-------------------------|------------|--------------------|
| >0          | >30                     | UNIT       | KF124B-10.0-XXP-1X |
| ~6          | ~100                    | mm         |                    |
| ~10         | ~300                    | SHEET SIZE | A4                 |
| ~24         | ~1000                   | A4         |                    |
| ±0.15       | ±0.30                   | SERIES     | KF124              |
| ±0.20       | ±0.30                   |            |                    |
| ±0.30       | ±0.50                   |            |                    |
| ±0.50       | ±0.70                   |            |                    |
| ±1.00       | ±1.30                   |            |                    |
| ±2'         |                         |            |                    |

DRAWING TYPE CUSTOMER DRAWING

SCALE 1:1 SHEET 1 OF 1

DRAWING NO. W11000262



慈溪市凯峰电子有限公司  
CXI KAIFENG ELECTRONICS CO.,LTD