

REV.	DESCRIPTION	DATE	DRAFTER	APPROVER
A1	DWG.REL	2020.6.10	ZHANG	JIN

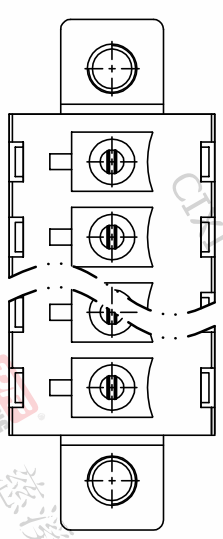
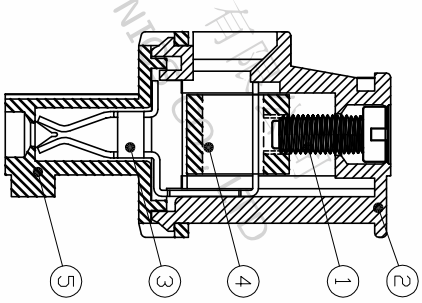
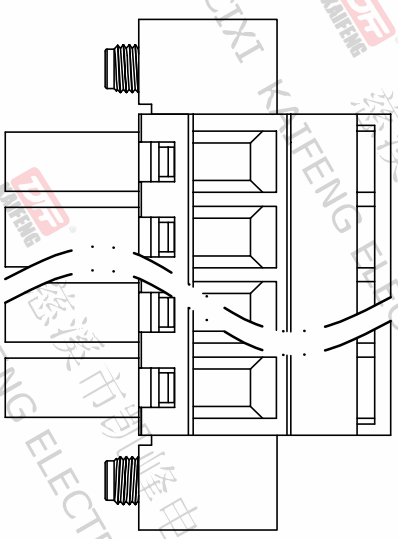
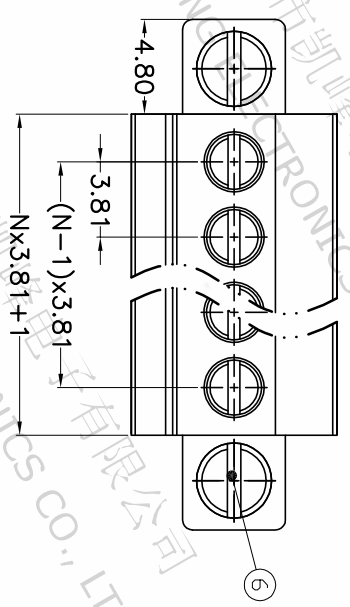
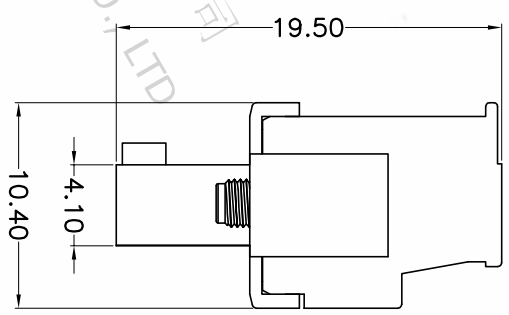
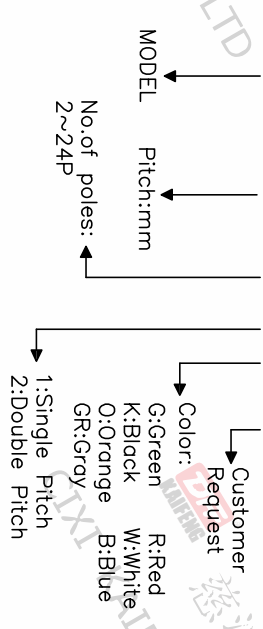
- Material
- ①Screw : M2.0 steel,Zinc plated,“-” slot type
- ②Housing : PA66, UL94V-0
- ③Contact : Copper alloy,Tin plated
- ④Clamp : Copper alloy, Ni plated
- ⑤Cover : PA66, UL94V-0
- ⑥Screw : M2.5 steel,Zinc plated,“-” slot type

- Electrical
- UL IEC
- Rated voltage : 300V 250V
- Rated current : 8A 7A
- Contact resistance : 20mΩ(Max)
- Insulation resistance : 500MΩ/DC500V
- Withstanding Voltage : AC1500V/1min
- Wire range : 28-16AWG 0.5-1.5mm²

- Mechanical
- Operating temperature:-40℃~+105℃
- Soldering temperature:250℃±5/5sec
- Torque: 0.2N.m (1.77Lb.in)
- Strip length: 6-7mm

• RoHS compliance

HOW TO ORDER
KF12EKBM-3.81-XXP-1 X-XXXXX



Pitch range	Nominal dimension range	Projection	UNIT
>0	>30	0.1/10	mm
>6	>60	0.1/10	mm
>10	>100	0.1/10	mm
~6	~100	0.1/10	mm
~10	~150	0.1/10	mm
~24	~150	0.1/10	mm
±0.15	±0.30	±2°	mm
±0.20	±0.30	±2°	mm
±0.30	±0.50	±2°	mm
±0.70	±1.00	±2°	mm
±1.30	±1.30	±2°	mm

DRAWING TYPE	CUSTOMER DRAWING
SCALE	1:1
SHEET	1 OF 1
DRAWING NO.	W10001192

PROJECTION	TITLE
UNIT	KF12EKBM-3.81-XXP-1X
SHEET SIZE	A4
SERIES	KF12EKBM

DFE 慈溪市凯峰电子有限公司
CIXI KAIFENG ELECTRONICS CO.,LTD