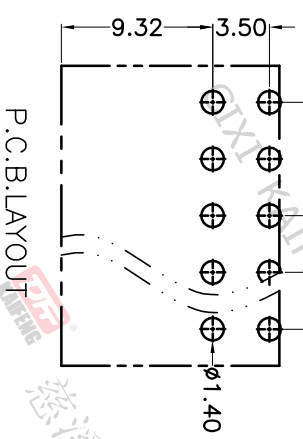
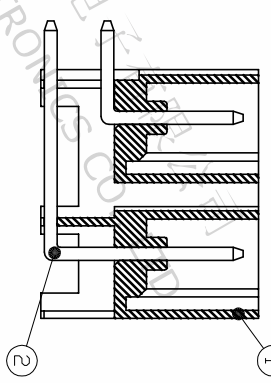
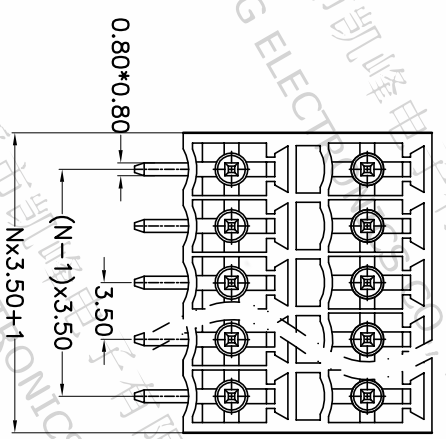
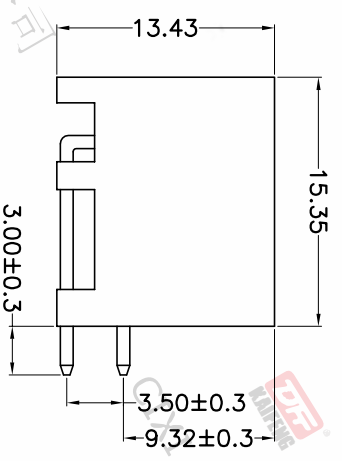


REV.	DESCRIPTION	DATE	DRAFTER	APPROVER
A1	DWG.REL	2020.6.02	ZHANG	JIN

- Material
 @Housing : PA66, UL94V-0
 @Pin header : Copper alloy, Tin plated
- Electrical
 UL IEC
 Rated voltage : 300V 250V
 Rated current : 8A 7A
 Contact resistance : 20mΩ(Max)
 Insulation resistance: 500MΩ/DC500V
 Withstanding Voltage : AC1500V/1min
- Mechanical
 Operating temperature: -40℃~+105℃
 Soldering temperature:250℃±5/5sec
- RoHS compliance



P.C.B. LAYOUT

Pitch range	Nominal dimension range	0.1/10	±2°
>0	>0	0.1/10	±2°
~6	~30	0.1/10	±2°
~10	~60	0.1/10	±2°
~24	~100	0.1/10	±2°
~30	~150	0.1/10	±2°
±0.15	±0.30	±0.30	±2°
	±0.50	±0.70	±1.00
	±1.00	±1.30	±2°

DRAWING TYPE	CUSTOMER DRAWING
SCALE	1:1
SHEET	1 OF 1
DRAWING NO.	W10001312

HOW TO ORDER
 KF12EKN-R-3.5-2*XXP-1 X-XXXXX

MODEL Pitch:mm No.of poles: 2~24P

Color: Customer Request
 G:Green R:Red
 K:Black W:White
 O:Orange B:Blue
 GR:Gray

1:Single Pitch
 2:Double Pitch

PROJECTION	UNIT	TITLE
UNIT	mm	KF12EKN-R-3.5-2*XXP-1X
SHEET SIZE	A4	SERIES KF12EKN-R

DFE 慈溪市凯峰电子有限公司
 CIXI KAIFENG ELECTRONICS CO.,LTD