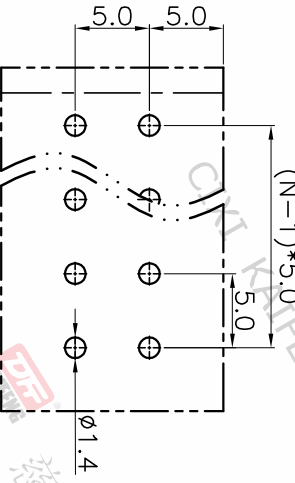
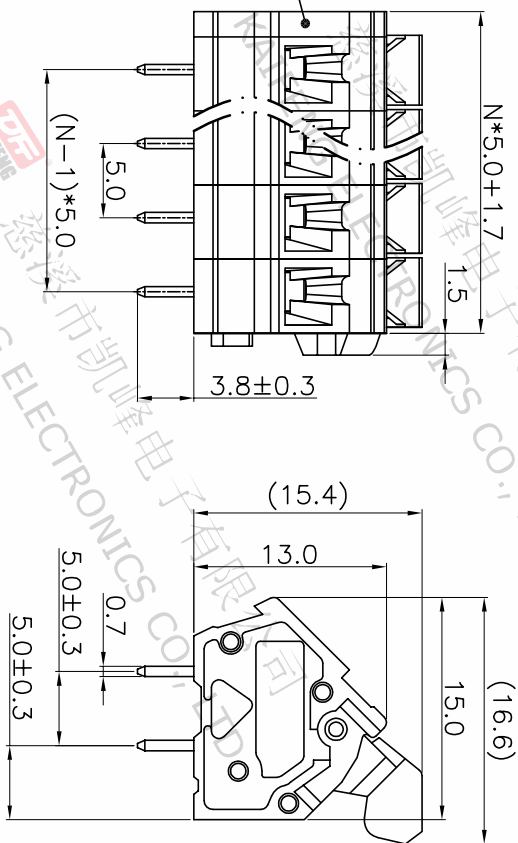
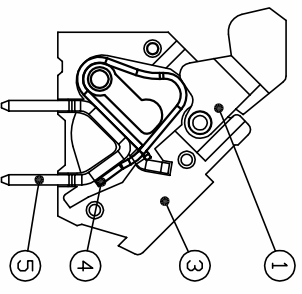
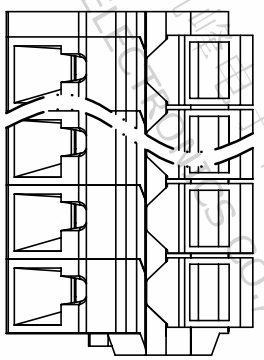


REV.	DESCRIPTION	DATE	DRAFTER	APPROVER
A1	DWG.REL	2020.05.25	DENG	JIN



P.C.B. LAYOUT

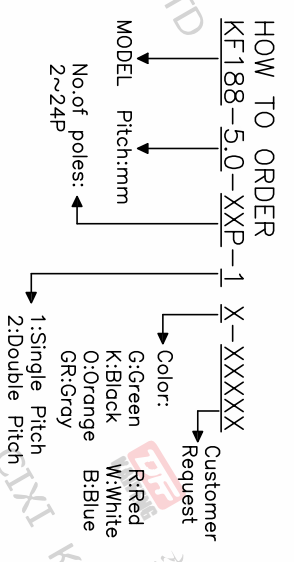
Pitch range	Nominal dimension range	PROJECTION
>0	>0	0.1/10
~6	~>10	~
~10	~24	~
~24	~30	~
~30	~60	~
~60	~100	~
~100	~150	~
~150	~>150	~
±0.15	±0.20	±2°
±0.30	±0.30	±2°
±0.50	±0.50	±2°
±0.70	±1.00	±2°
±1.30	±1.30	±2°

DRAWING TYPE	CUSTOMER DRAWING
SCALE	1:1
SHEET	1 OF 1
DRAWING NO.	W15000102

PROJECTION	UNIT	TITLE
mm	mm	KF188-5.0-XXP-1X
A4	A4	SHEET SIZE
KF188	KF188	SERIES

- Material
 - ①Button : PA66, UL94V-0
 - ②Cover : PA66, UL94V-0
 - ③Housing : PA66, UL94V-0
 - ④Reed : Stainless steel
 - ⑤Pin header : Copper alloy, Tin plated
- Electrical

UL	IEC
Rated voltage : 300V	450V
Rated current : 15A	17A
- Mechanical
 - Operating temperature: -40°C ~ +105°C
 - Soldering temperature: 250°C ±5/5sec
 - Strip length: 5-6mm
- RoHS compliance



DFE 慈溪市凯峰电子有限公司
CIXI KAIFENG ELECTRONICS CO.,LTD