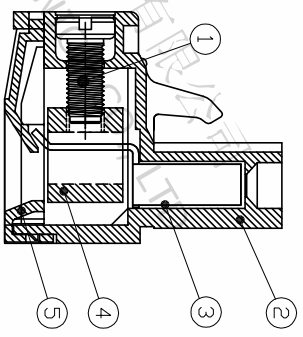
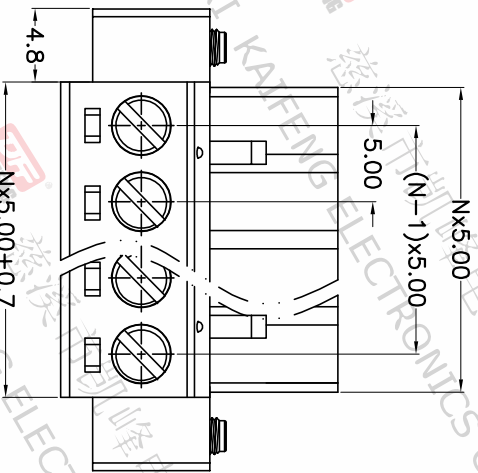
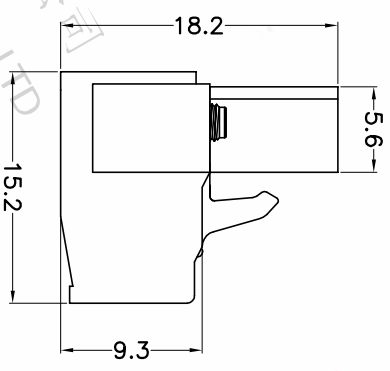
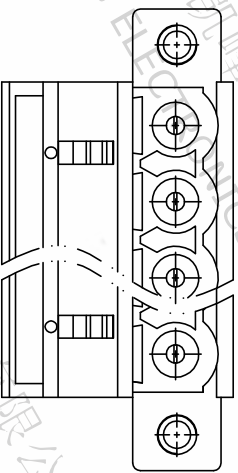


REV.	DESCRIPTION	DATE	DRAFTER	APPROVER
A1	DWG.REL	2020.6.02	ZHANG	JIN



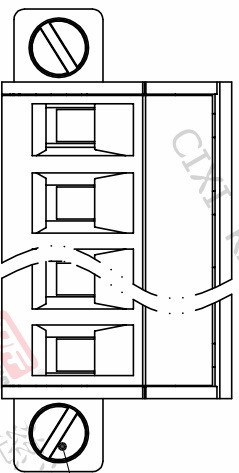
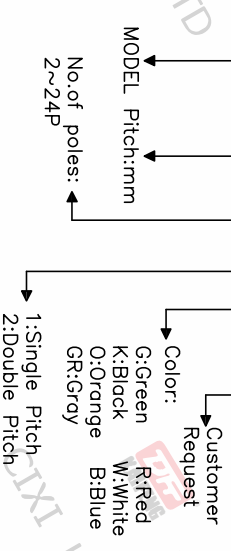
- Material
 - ①Screw : M3.0 steel, Zinc plated, *- slot type
 - ②Housing : PA66, UL94V-0
 - ③Contact : Copper alloy, Tin plated
 - ④Clamp : Copper alloy, Ni plated
 - ⑤Cover : PA66, UL94V-0
 - ⑥Screw : M2.5 steel, Zinc plated, *- slot type

- Electrical
 - UL IEC
 - Rated voltage : 300V 320V
 - Rated current : 15A 20A
 - Contact resistance : 20mΩ(Max)
 - Insulation resistance: 500MΩ/DC500V
 - Withstanding Voltage : AC2000V/1min
 - Wire range: 28-12AWG 2.5mm²

- Mechanical
 - Operating temperature: -40°C ~ +105°C
 - Soldering temperature: 250°C ± 5 / 5sec
 - Torque: 0.5N.m (4.43lb.in)
 - Strip length: 7-8mm

• RoHS compliance

HOW TO ORDER
KF222M-5.0-XXP-1 X-XXXXX



Pitch range	Nominal dimension range	PROJECTION	UNIT	TITLE
>0	>0	0.1/10	mm	KF222M-5.0-XXP-1X
~6	~>10			
~10	~24			
~24	~30			
~30	~60			
~60	~100			
~100	~150			
~150	~>150			
±0.15	±0.20	±0.30	±0.50	±0.70
				±1.00
				±1.30
				±2

DFE 慈溪市凯峰电子有限公司
CIXI KAIFENG ELECTRONICS CO.,LTD

DRAWING TYPE: CUSTOMER DRAWING
SCALE: 1:1 SHEET: 1 OF 1
DRAWING NO.: W10001602