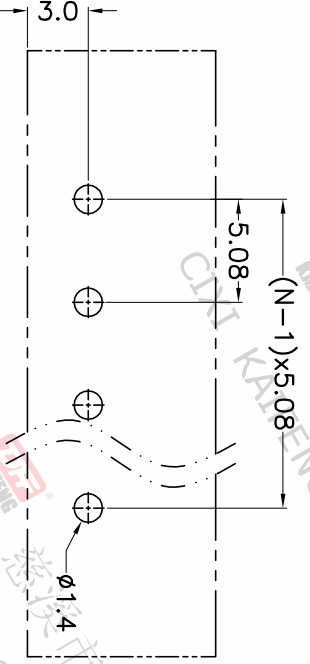
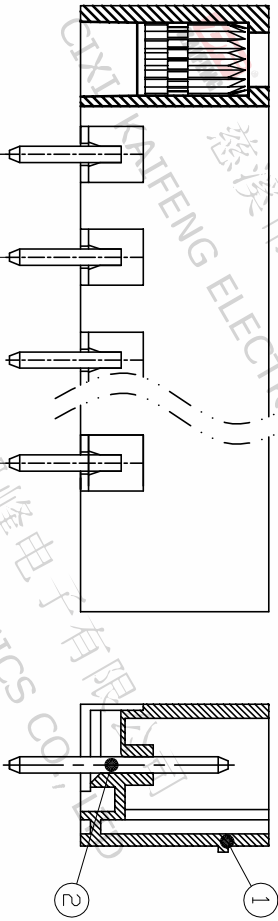
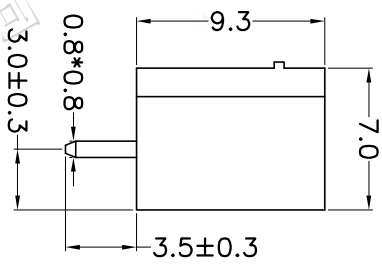
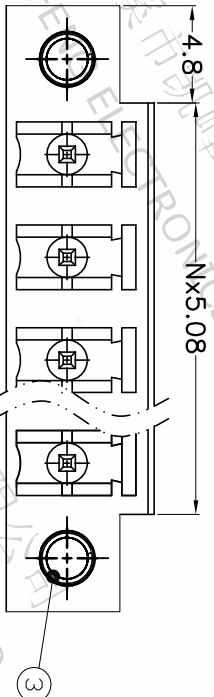


REV.	DESCRIPTION	DATE	DRAFTER	APPROVER
A1	DWG.REL	2020.6.02	ZHANG	JIN



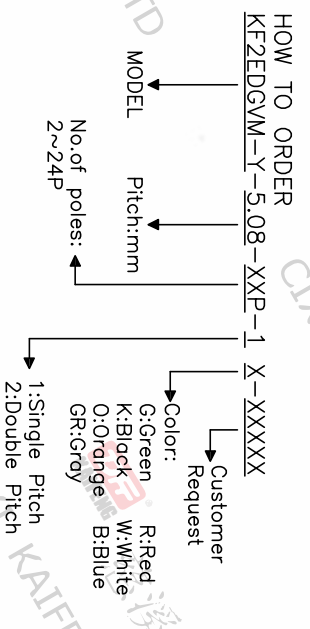
P.C.B. LAYOUT

Pitch range	Nominal dimension range	0.1/10	±2'
>0	>30	0.1/10	±2'
>6	>60	0.1/10	±2'
>10	>100	0.1/10	±2'
~	~	~	~
6	60	~	~
10	100	~	~
24	150	~	~
±0.15	±0.30	±0.50	±1.30
±0.20	±0.30	±0.70	±1.00

DRAWING TYPE	CUSTOMER DRAWING
SCALE	1:1
SHEET	1 OF 1
DRAWING NO.	W10000812

PROJECTION	UNIT	TITLE
①	mm	KF2EDGVM-Y-5.08-XXP-1X
SHEET SIZE	A4	SERIES KF2EDGVM-Y

- Material
 - ① Housing : PA66, UL94V-0
 - ② Pin header : Copper alloy, Tin plated
 - ③ Nut : M2.5, Copper alloy
- Electrical
 - UL IEC
 - Rated voltage : 300V 320V
 - Rated current : 8A 7A
 - Contact resistance : 20mΩ(Max)
 - Insulation resistance: 500MΩ/DC500V
 - Withstanding Voltage : AC2000V/1min
- Mechanical
 - Operating temperature: -40℃ ~ +105℃
 - Soldering temperature: 250℃ ±5 / 5sec
- RoHS compliance



DF 慈溪市凯峰电子有限公司
CIXI KAIFENG ELECTRONICS CO.,LTD