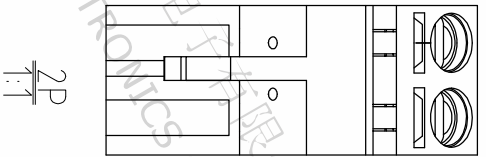
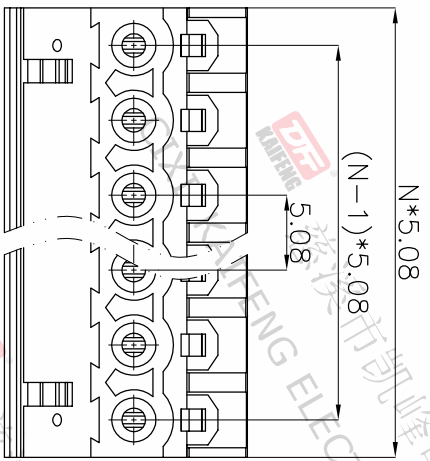
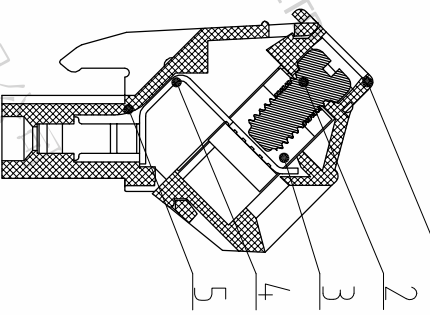
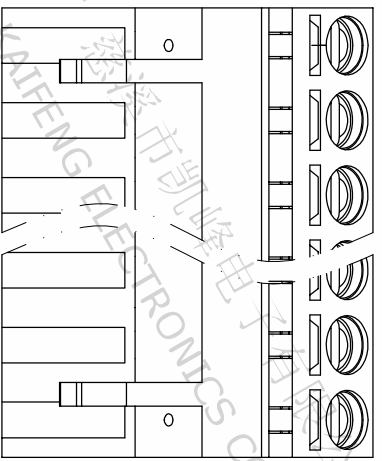
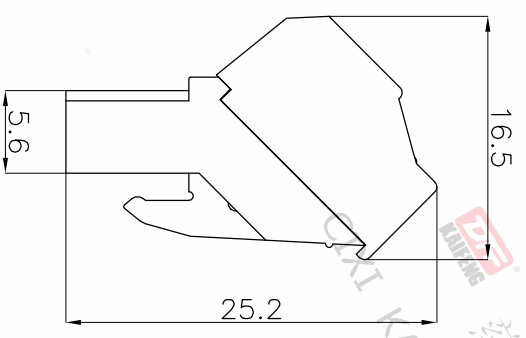


REV.	DESCRIPTION	DATE	DRAFTER	APPROVER
A1	DWG.REL	2020.5.18	ZHANG	JIN



Pitch range	Nominal dimension range	PROJECTION
>0	>0	0.1/10
~6	~30	0.1/10
~10	~60	0.1/10
~24	~100	0.1/10
~30	~150	0.1/10
±0.15	±0.30	±2'
±0.20	±0.50	±2'
±0.30	±0.70	±2'
±1.00	±1.30	±2'

DRAWING TYPE	SCALE	DRAWING NO.	PROJECTION	UNIT	TITLE
CUSTOMER DRAWING	1:1	W10002042	1 OF 1	mm	KF2EKL-5.08-XXP-1X
SHEET				A4	
				SERIES	KF2EKL

- Material
  - ØHousing : PA66, UL94V-0
  - ØScrews : M3.0, Stainless steel
  - ØClamp : Copper alloy, Ni plated
  - ØContact : Copper alloy, Ni plated
  - ØCover : PA66, UL94V-0
- Electrical
  - Rated voltage : 300V
  - Rated current : 15A
  - Contact resistance : 20mΩ(Max)
  - Insulation resistance: 500MΩ/DC500V
  - Withstanding Voltage : AC2000V/1min
  - Wire range: 26-12AWG 2.5mm<sup>2</sup>
- Mechanical
  - Operating temperature: -40°C ~ +105°C
  - Soldering temperature: 250°C ±5/5sec
  - Torque: 0.5N.m (4.43Lb.in)
  - Strip length: 10-11mm
- RoHS compliance

HOW TO ORDER  
 KF2EKL-5.08-XXP-1 X-XXXXXX

MODEL Pitch:mm  
 No.of poles: 2~24P

Color: Customer Request  
 G:Green R:Red  
 K:Black W:White  
 O:Orange B:Blue  
 GR:Gray

1:Single Pitch  
 2:Double Pitch

**DF** 慈溪市凯峰电子有限公司  
 CIXI KAIFENG ELECTRONICS CO.,LTD