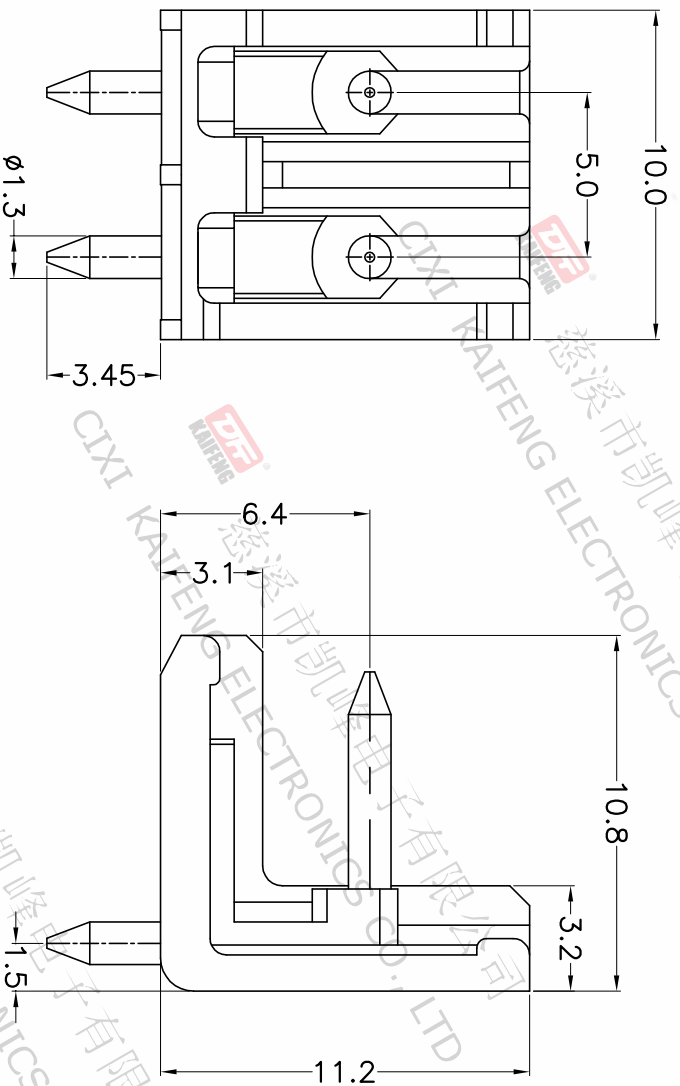


| REV. | DESCRIPTION | DATE | DRAFTER | APPROVER |
|------|-------------|------------|---------|----------|
| A1 | DWG.REL | 2020.05.18 | DENG | JIN |

- Material
Pin header : Copper alloy, Tin plated
Housing : PA66, UL94V-0
- Electrical
UL IEC
Rated voltage : 300V 250V
Rated current : 10A 12A
Insulation resistance: 500MΩ/DC500V
Withstanding Voltage : AC2000V/1min
- Mechanical
Operating temperature: -40°C~+105°C
Soldering temperature: 250°C±5/5sec
- RoHS compliance



| Pitch range | Nominal dimension range | 0.1/10 | ±2° |
|-------------|-------------------------|--------|-------|
| >0 | >0 | 0.1/10 | ±2° |
| ~6 | >30 | 0.1/10 | ±2° |
| ~10 | >60 | 0.1/10 | ±2° |
| ~24 | >100 | 0.1/10 | ±2° |
| ~30 | >150 | 0.1/10 | ±2° |
| ~60 | >150 | 0.1/10 | ±2° |
| ~100 | >150 | 0.1/10 | ±2° |
| ~150 | >150 | 0.1/10 | ±2° |
| ±0.15 | ±0.30 | ±0.30 | ±2° |
| ±0.20 | ±0.30 | ±0.30 | ±2° |
| ±0.30 | ±0.50 | ±0.70 | ±1.00 |
| ±1.00 | ±1.30 | ±1.30 | ±1.30 |

| DRAWING TYPE | CUSTOMER DRAWING | PROJECTION | UNIT | TITLE |
|--------------|------------------|------------|------------|----------------|
| SCALE | 1:1 | 1 OF 1 | mm | KF332N1-5.0-2P |
| DRAWING NO. | W15000922 | SHEET | SHEET SIZE | SERIES |
| | | 1 OF 1 | A4 | KF332N1 |

DF 慈溪市凯峰电子有限公司
CIXI KAIFENG ELECTRONICS CO.,LTD

