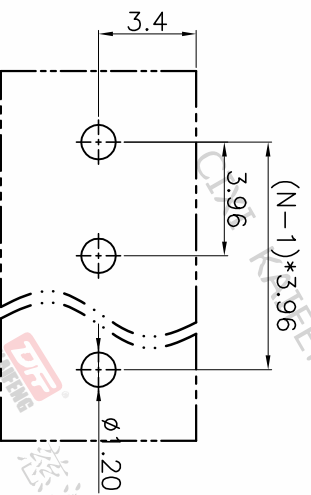
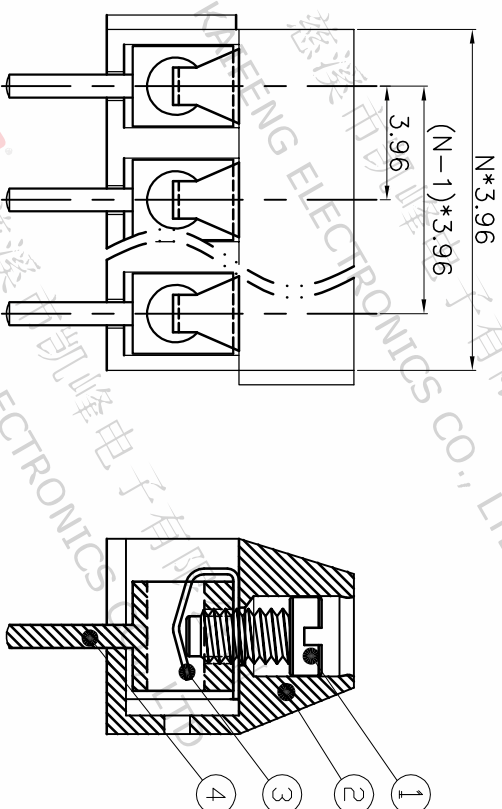
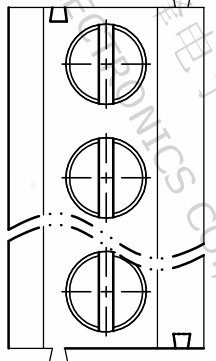
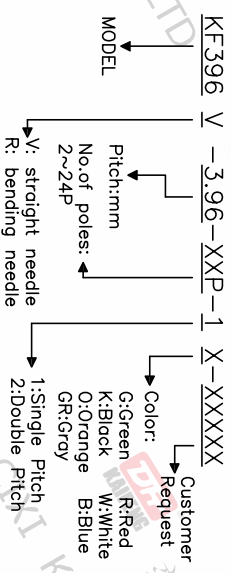


REV.	DESCRIPTION	DATE	DRAFTER	APPROVER
A1	DWG.REL	2020.05.18	DENG	JIN



- Material  
 ○Screws : M2.0 steel, Zinc plated,  
 ○slot type  
 ○Housing : PA66, UL94V-0  
 ○Reed : Copper alloy, Ni plated  
 or stainless steel  
 ○Pin header : Copper alloy, Tin plated
- Electrical  
 UL IEC  
 Rated voltage : 300V 130V  
 Rated current : 7A 10A  
 Contact resistance : 20mΩ(Max)  
 Insulation resistance : 500MΩ/DC500V  
 Withstanding Voltage : AC1250V/1min  
 Wire range : 24-18AWG 1.0mm<sup>2</sup>
- Mechanical  
 Operating temperature: -40℃~+105℃  
 Soldering temperature: 250℃±5/5sec  
 Torque: 0.2N.m (1.77Lb.in)  
 Strip length: 5-6mm
- RoHS compliance

HOW TO ORDER



P.C.B. LAYOUT

Pitch range	Nominal dimension range	PROJECTION
>0	>0	0.1/10
>6	>30	≤
~	~	±2°
6	60	
10	100	
24	150	
±0.15	±0.30	
±0.20	±0.30	
±0.30	±0.50	
±0.70	±1.00	
±1.30	±1.30	

DRAWING TYPE	CUSTOMER DRAWING	SHEET	1 OF 1
SCALE	1:1	SHEET	1 OF 1
DRAWING NO.	W15000262		

**DF** 慈溪市凯峰电子有限公司  
CIXI KAIFENG ELECTRONICS CO.,LTD

TITLE: KEF396V-3.96-XXP-1X  
SHEET SIZE: A4  
SERIES: KEF396

1 2 3 4 5 6 7 8

CIXI KAIFENG ELECTRONICS CO., LTD